

SHIMANO

Caliper Brake

Tourney



Center-Pull Type

 SHIMANO

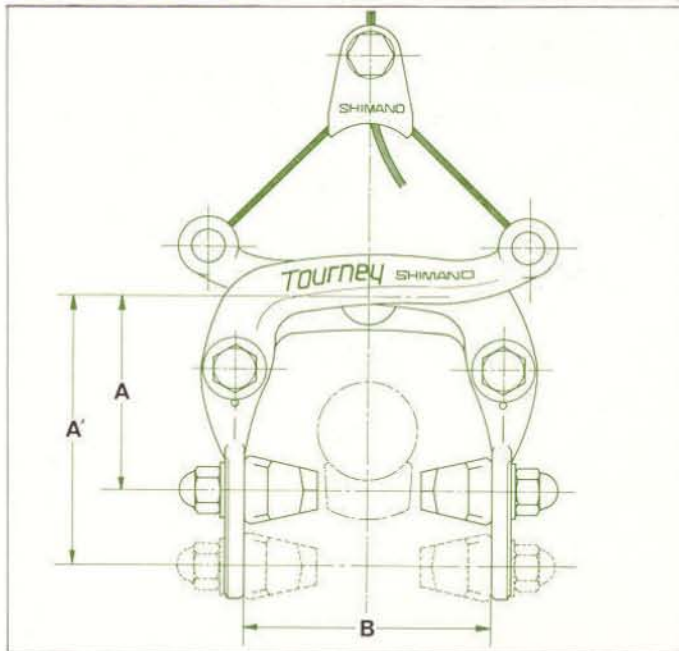
New from Shimano—Popular Maker of Special Brakes

The many special brakes made by Shimano, including the Coaster Brake, 3-Speed Hub with Coaster Brake, Power Brake (hydraulic), Disc Brake, and others, are warmly welcomed at home and abroad for their high reliability. This newly developed Tourney Caliper Brake makes full use of the experience and knowledge gained in past production.

Many Exclusive, Outstanding Features

- Lightweight, with stable quality.
Material is light alloy, manufactured by Shimano's exclusive cold forging process.
- Excellent performance even in rain.
A special tread is used on the brake shoe (rubber) for improved cutting of water film caused by rain.
- Quick release system.
Easily removed from the wheel.

Dimensions (Two types, S and M, are available)



Differences between S and M types

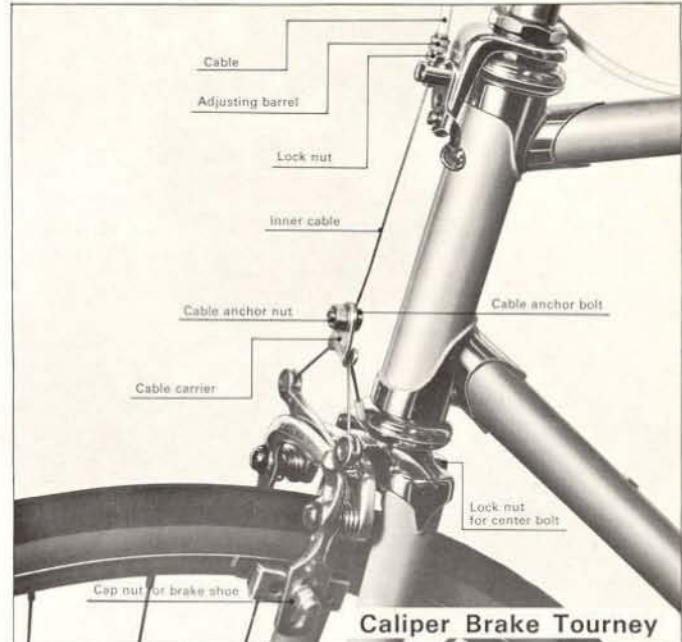
	A ~ A'	B	Use
S Type	47—65 mm (1 7/8") (2 1/2")	59 mm (2 3/16")	27"
M Type	57—75 mm (2 1/4") (3")	64 mm (2 1/2")	26"

Hanger

The quick release system is standard. Depending on the width of the seat pin, there are two types of rear hangers, 23 mm (0.9") and 27 mm (1.06").

There is only one type of front hanger.

How to Attach

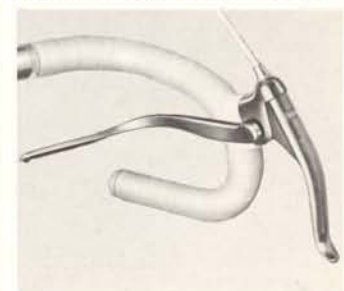


1. Mount the handlever (With the side marked "F" on the lever bracket) on the handlebar and tighten the pull up bolt securely. Then attach the cable to the handlever by hooking the cable end on the cable anchor pin.
2. Attach the brake body, and tighten the lock nut for the center bolt temporarily.
3. Slip the inner cable through the adjusting barrel (pushing the quick lever down).
4. The arrow design on the brake shoe should be pointing in the opposite direction to the revolution of the wheels. If this is not attached correctly, loosen the cap nut for the brake shoe and attach it with the arrow pointed in the correct direction.
5. Pass the cable through the cable anchor bolt, pull the center cable tightly, and fasten the cable anchor nut securely.
6. Operate the brake lever and check to see that the brake arm moves smoothly.
7. Check to see that the brake shoe is the same distance from the left and right sides of the rim.
8. Last, tighten the lock nut for the center bolt securely. The above directions are for attaching to the front, but the same also apply when attaching to the rear.

Hooded Lever



Dual Extension Lever

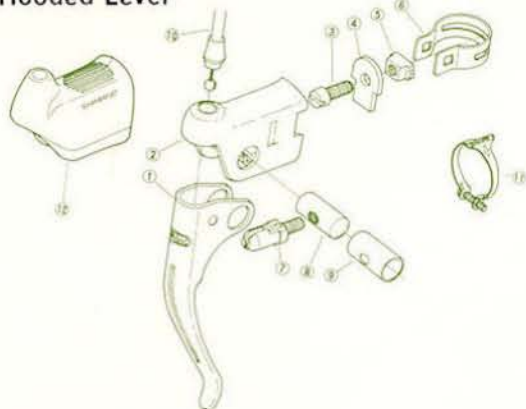


Dimensions:

For the Hooded Lever and Dual Extension Lever, depending on the diameter of the handlebar, there are two types of clamps, 22.2 mm (7/8") and 23.8 mm (15/16"). These are indicated on the clamp.

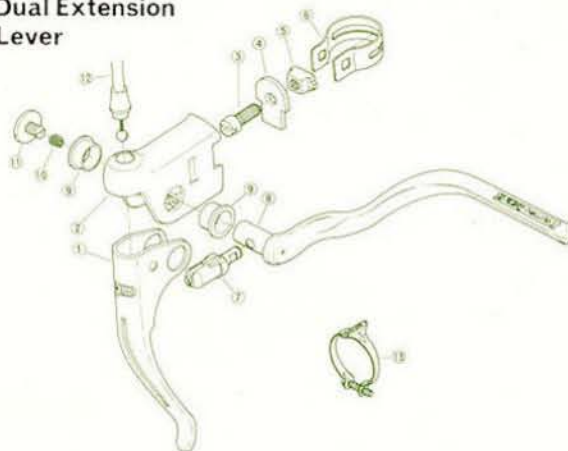
Exploded View

Hooded Lever



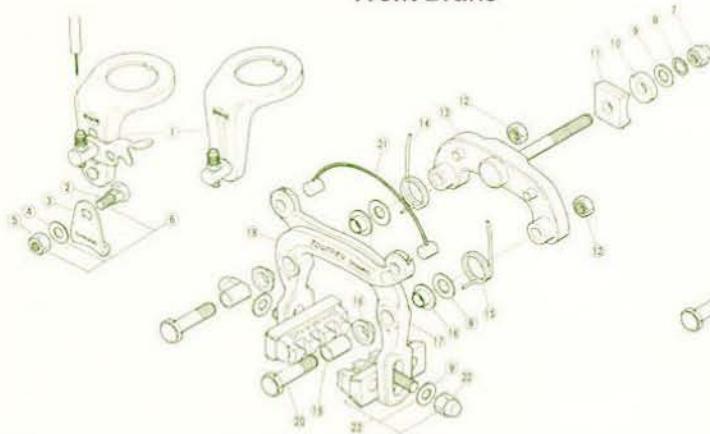
ITEM NO.	PART NO.	DESCRIPTION
1	841 0600	Lever
2	841 0100	Lever bracket
3	841 0500	Pull up bolt
4	841 0200	Pull up plate
5	841 0400	Pull up nut
6	841 0300	Clamp 7/8" (22.2 m/m)
	841 0301	Clamp 15/16" (23.8 m/m)
7	841 1000	Cable anchor pin A
8	841 0900	Stud for pull up bolt
9	841 0700	Sleeve
10		Front cable assembly
		Rear cable assembly
11	831 9011	Cable clip for 1-1/8" tube
12	841 1100	(Option) Rubber Cover

Dual Extension Lever

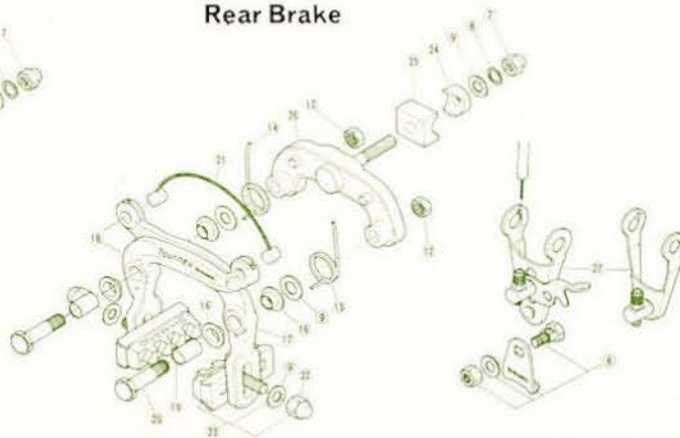


ITEM NO.	PART NO.	DESCRIPTION
1	841 0600	Lever
2	841 0100	Lever bracket
3	841 0500	Pull up bolt
4	841 0200	Pull up plate
5	841 0400	Pull up nut
6	841 0300	Clamp 7/8" (22.2 m/m)
	841 0301	Clamp 15/16" (23.8 m/m)
7	842 1000	Cable anchor pin B
8	842 0901	Right hand L-Bar
	842 0902	Left hand L-Bar
9	842 0700	Flanged thrust washer
10	842 1100	Coil Spring
11	842 1200	Stop screw
12		Front cable assembly
		Rear cable assembly
13	831 9011	Cable clip for 1-1/8" tube

Front Brake

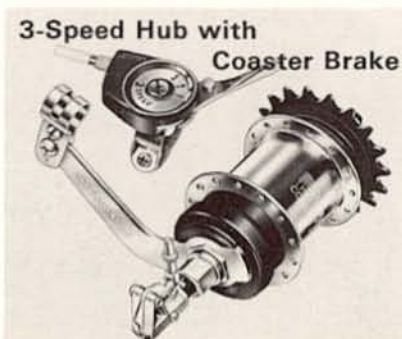
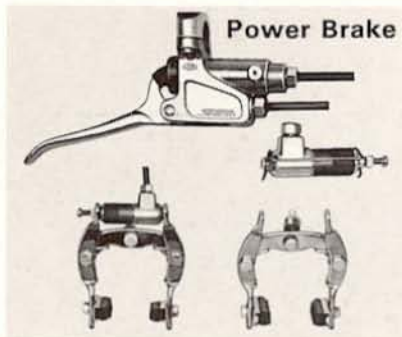
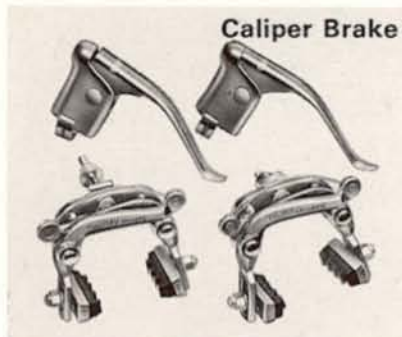


Rear Brake



ITEM NO.	PART NO.	DESCRIPTION	ITEM NO.	PART NO.	DESCRIPTION	
1	831 9004	Front cable hanger complete with Quick release unit	16	831 0500	Flanged thrust washer	
	831 9005	Front cable hanger complete		17	831 0201	Inner brake arm "M" type
2	831 5300	Cable anchor bolt	831 0211		Inner brake arm "S" type	
3	831 5200	Cable carrier	18	831 0200	Outer brake arm "M" type	
4	831 5400	Cable anchor washer		831 0210	Outer brake arm "S" type	
5	831 0700	Cable anchor nut	19	831 0400	Bushing	
6	831 9010	Cable carrier complete	20	831 0300	Pivot bolt	
7	831 3700	Lock nut for center bolt	21	831 5100	Center cable (90 m/m) 3-1/2"	
8	811 6100	Toothed lock washer	22	831 4300	Cap nut for brake shoe	
9	831 0600	Washer	23	831 9009	Brake shoe assembly	
10	811 6000	Concave washer for front brake	REAR			
11	831 3300	Square concave washer for front brake	24	811 6010	R-washer	
12	831 0700	Lock nut for pivot bolt	25	831 3400	Square concave washer for Rear brake	
13	831 9001	Arm bridge with Center bolt (63 m/m) 2-1/2"	26	831 9003	Arm bridge with Center bolt (42 m/m) 1-5/8"	
	831 9002	Arm bridge with Center bolt (71 m/m) 2-3/4"		831 9006	Rear cable hanger complete with Quick release unit (23 m/m) 7/8"	
14	831 2101	L.H. Arm return spring		27	831 9007	Rear cable hanger complete with Quick release unit (27 m/m) 1-1/16"
	831 2100	R.H. Arm return spring			831 9008	Rear cable hanger complete (27 m/m) 1-1/16"

Shimano Industries Make a Complete Range of Brakes



SHIMANO

SHIMANO AMERICAN CORPORATION

1133 Avenue of the Americas, New York,
N.Y. 10036 Tel. (212) 586-2350

SHIMANO (EUROPA) GmbH.

4, Düsseldorf Hüttenstrasse 5,
West Germany.

SHIMANO INDUSTRIAL CO., LTD.

3-77, Oimatsucho, Sakai, Osaka, Japan
Tel. 0722-45-0333